

Micro-solenoid valve(3/2 way)

CPV15 Series — Manifold



Specification

| Model | CPV15M2F | CPV15M3F | CPV15M4F | | CPV15M20F |
|-------------------|--|------------|--------------------------|-------|-----------|
| Fluid | Air(to be filtered by 40 μ m filter element) | | | | |
| Temperature | -20~70°C | | | | |
| Port size | P/R ports | | 1/8"[Note1] | | |
| | A port | PT thread | Φ4mm(Push in fittings) | | |
| | | G thread | Φ4mm(Push in fittings) | | |
| | | NPT thread | Φ5/32"(Push in fittings) | | |
| Applicable valves | CPV15 series micro-solenoid valve | | | | |

[Note1] PT thread, G thread and NPT thread are available.

Product feature

1. Integrated installation saves space and reduces additional accessories.
2. Centralized air intake, exhaust, and wiring for quick air circuit checking.
3. Flexible combination and expandability for various applications. Blank plates are optional.

Ordering code

Ordering code for manifold

| CPV15M 20F □ | | |
|-------------------------------|---|-----------------------------|
| ① Model | ② Number of stations | ③ Thread type |
| CPV15M: CPV15 series manifold | 2F: 2 stations 3F: 3 stations 4F: 4 stations 20F: 20 stations | Blank: PT G: G T: NPT |

Ordering code for blank plate

| P-CPV15S-R2 | |
|---|------------------------------|
| ① Model | ② Code |
| CPV15S: CPV15S series integrated solenoid valve | R2: Blank plate for manifold |

- [Note] 1. Ordering code contains manifold and blank plate.
2. Maximum station up to 20 stations.
3. Blank plate kits contain blank plate, gasket and screw.



Installation and Application

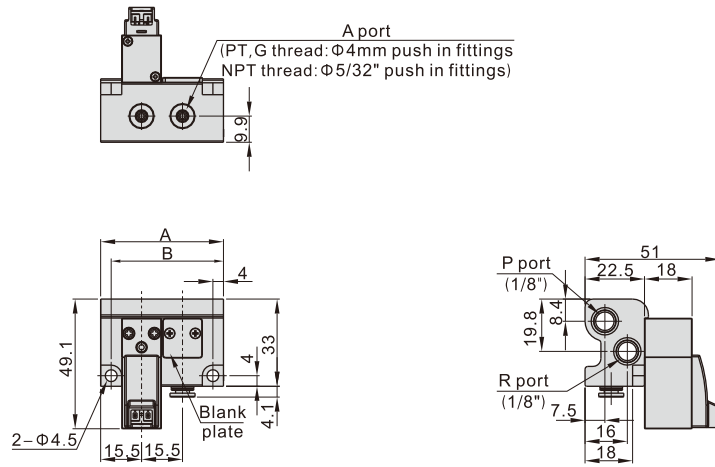
| Assembly of micro-solenoid valve (blank plate) and manifold | Expansion of micro-solenoid valve |
|---|--|
| Mount micro-solenoid valve and manifold by two M2.5 screws as following . Mount blank plate and manifold by two M2.5 countersunk screws as following . | Remove blank plate and install solenoid valve by the assembly instruction. |
| <p>Solenoid valve: Fixed by two M2.5 screws</p> <p>Manifold: Fixed by two M2.5 screws</p> | <p>replace blank plate with solenoid valve</p> |

| A port tubing | Manifold mounting |
|--|---|
| A port is at the side of manifold with push in fittings | Both sides of manifold attach two installing through-holes, using two M4 hexagon cap screws to fix. |
| <p>A(with push in fittings) (PT, G thread: Φ4mm NPT thread: Φ5/32" tube)</p> | <p>Installing through-holes (using two M4 hexagon cap screws to fix)</p> |

Micro-solenoid valve(3/2 way)

CPV15 Series — Manifold

Dimensions



| Item\Number of stations | 2F | 3F | 4F | 5F | 6F | 7F | 8F | 9F | 10F | 11F | 12F | 13F | 14F | 15F | 16F | 17F | 18F | 19F | 20F |
|-------------------------|------|----|------|----|-------|-----|-------|-----|-------|-----|-------|-----|-------|-----|-------|-----|-------|-----|-------|
| A | 46.5 | 62 | 77.5 | 93 | 108.5 | 124 | 139.5 | 155 | 170.5 | 186 | 201.5 | 217 | 232.5 | 248 | 263.5 | 279 | 294.5 | 310 | 325.5 |
| B | 38.5 | 54 | 69.5 | 85 | 100.5 | 116 | 131.5 | 147 | 162.5 | 178 | 193.5 | 209 | 224.5 | 240 | 255.5 | 271 | 286.5 | 302 | 317.5 |