

# MSV Series Mechanical Valve

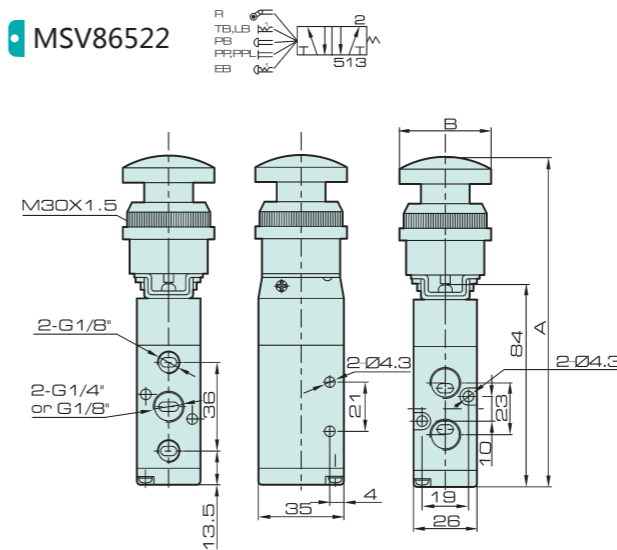


# MSV Series Mechanical Valve

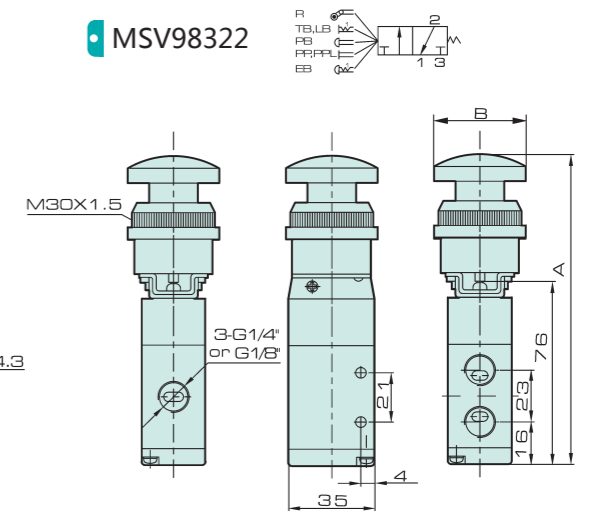
ISO9001:2015 CE

## Overall Dimension

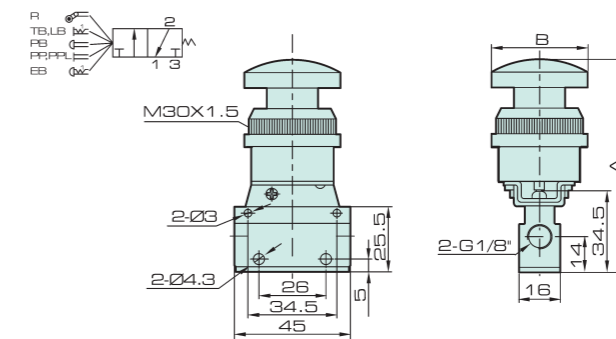
MSV86522



MSV98322



MSV86321



Valve  
J4V  
J4V100  
J4V200  
J4V300  
J4V400  
5V  
Manifold  
JSY  
5JV  
MCS  
JVT307  
JEL  
MVSD  
VF  
BM  
NAMUR  
551  
JEL10  
3VJZF  
Diaphragm  
JELVD  
3V1  
Coil  
2P  
2V  
2W  
2W(Big)  
2L  
VX  
PU  
PU225  
2Q  
JEL5404  
JEL6213  
BU  
Pulse  
JELJZF  
4H  
TSV  
MPV  
4HV  
HV, K  
4R  
4F210  
FV  
MSV  
JM  
ASC, RE  
QE, QEA  
ST  
HSV



## Ordering Code

MSV	86	32	1	R
Specification	Series	Position Number	Port Size	Button
Mechanical Valve	98 Series	32: 3/2 way	1: G 1/8"	Blank: Plunger
	86 Series	52: 5/2 way	2: G 1/4"	R: Roller
				TB: Selector knob
				LB: Long selector knob
				PB: Mushroom head button
				PP: Push button
				PPL: Raised push button
				EB: Emergency push button with lock

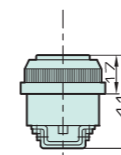
## Specification

Model	MSV86321	MSV86522	MSV98322
Working Medium	40 Micron Filtered Air		
Valve Type	3/2 Way	5/2 Way	3/2 Way
Working Pressure	0 ~ 0.8 MPa	0 ~ 0.8 MPa	0 ~ 0.8 MPa
Ambient Temperature	-20 ~ 70°C		
Effective Cross Section Area	12mm <sup>2</sup> (CV=0.67)	16mm <sup>2</sup> (CV=0.89)	16mm <sup>2</sup> (CV=0.89)
Port Size	G1/8"	G1/4"	G1/4"

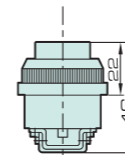
## Dimension

Series	Symbol / Model	PP	PPL	LB	TB	EB	PB	R
MSV86522	A	114	119	133	136.5	134	131	107.5
	B	39.5	24.5	26.5	36.5	39.5	37.5	42.5
MSV98322	A	106	111	125	129.5	126	123	99.5
	B	39.5	24.5	26.5	36.5	39.5	37.5	42.5
MSV86321	A	66	71	85	88.5	86	83	59.5
	B	39.5	24.5	26.5	36.5	39.5	37.5	42.5

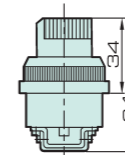
PP



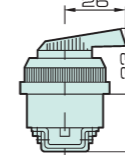
PPL



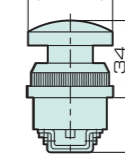
TB



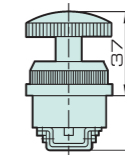
LB



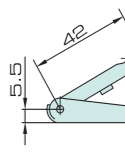
PB



EB



R



Valve  
J4V  
J4V100  
J4V200  
J4V300  
J4V400  
5V  
Manifold  
JSY  
5JV  
MCS  
JVT307  
JEL  
MVSD  
VF  
BM  
NAMUR  
551  
JEL10  
3VJZF  
Diaphragm  
JELVD  
3V1  
Coil  
2P  
2V  
2W  
2W(Big)  
2L  
VX  
PU  
PU225  
2Q  
JEL5404  
JEL6213  
BU  
Pulse  
JELJZF  
4H  
TSV  
MPV  
4HV  
HV, K  
4R  
4F210  
FV  
MSV  
JM  
ASC, RE  
QE, QEA  
ST  
HSV