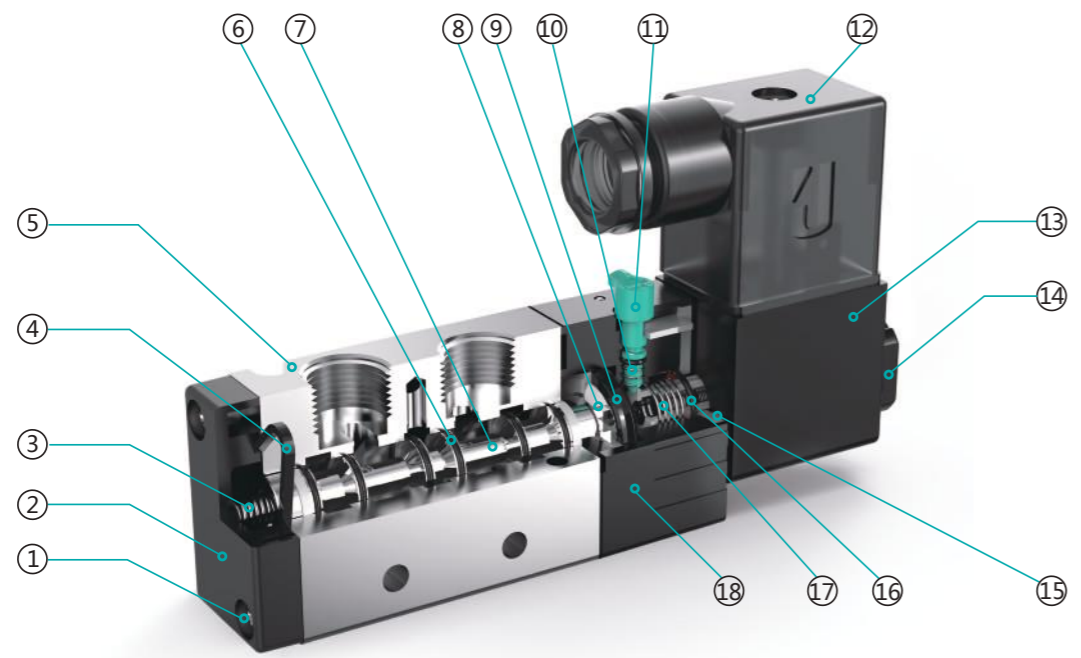


Features

1. The Anti-friction seal is added at both ends of the valve spool to make the valve spool more stable during the switching process and increase the valve life time.
2. Seals original imported from Japan; Optimize valve body inner flow path; Maximum increase the air flow area.
3. Valve Piloted Seat is from Taiwan, the surface design with 5 pcs stripe; Increased the strength of Manual ride spindle; The appearance is more distinctive (Applied appearance patent).
4. The valve body surface treatment adopts a new environmental protection process.
5. Fully automated assembling & test line with good product consistency.

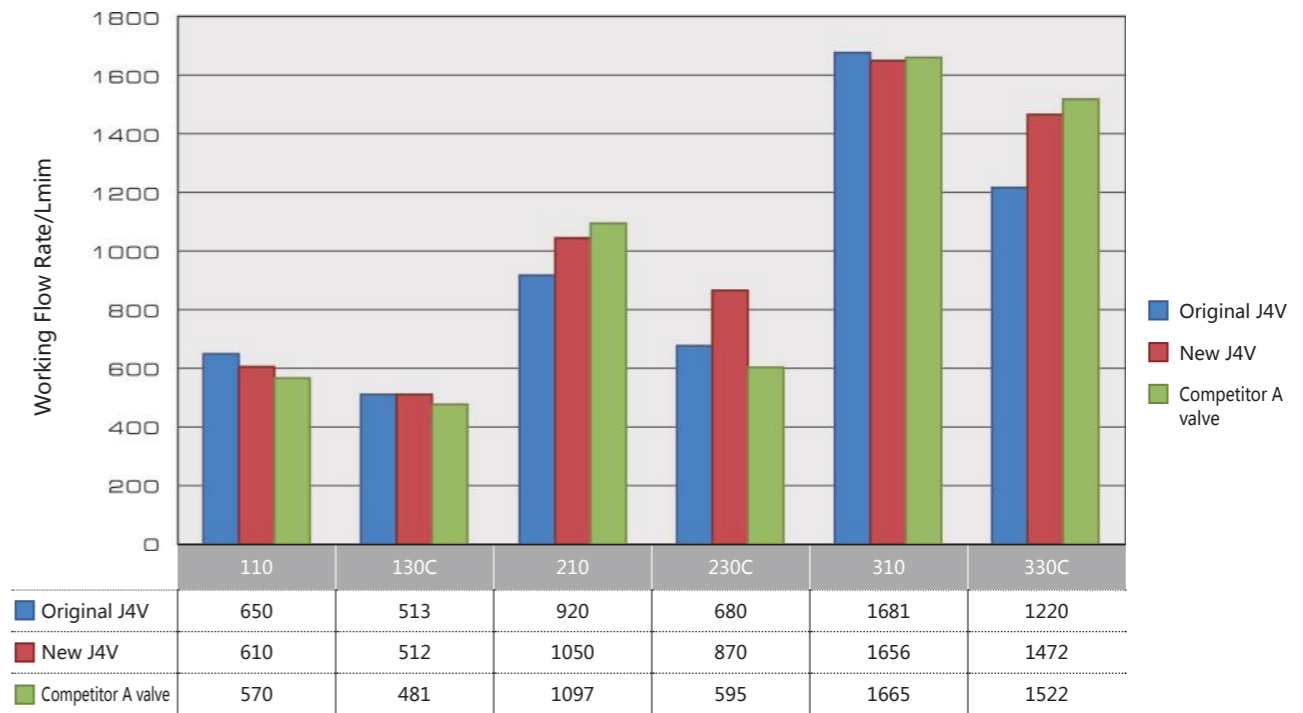
Internal Structure



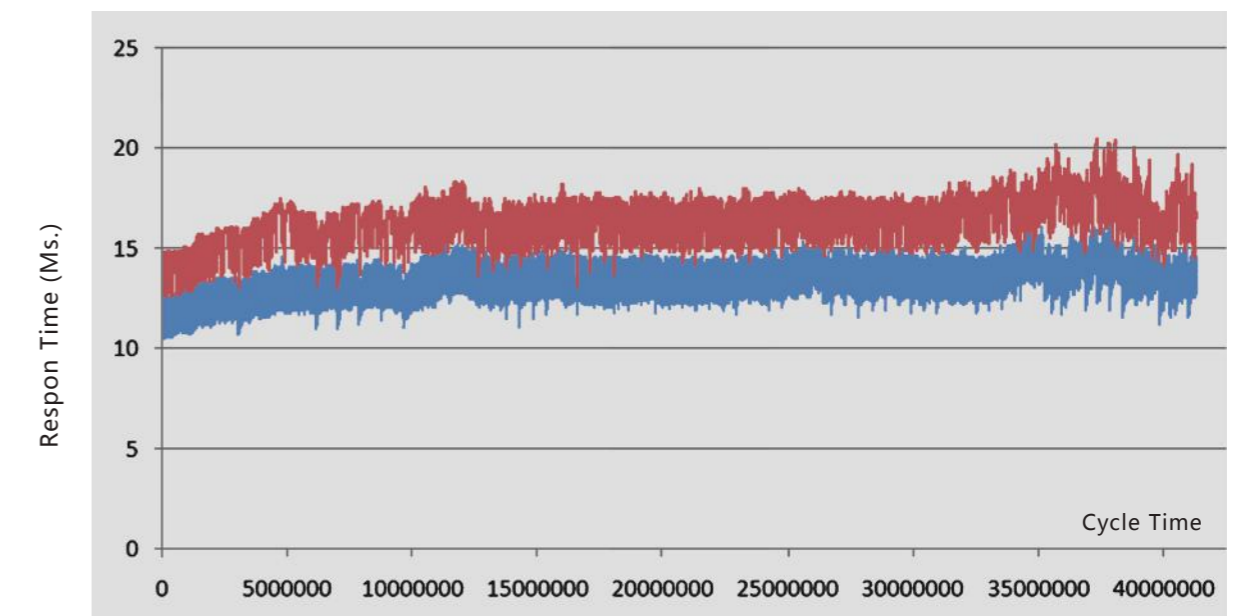
Parts

| Number | Name | Number | Name | Number | Name |
|--------|----------------------|--------|---------------------|--------|------------|
| 1 | Cross slot pan screw | 7 | Valve spool | 13 | Coil |
| 2 | Back cover | 8 | Piston | 14 | Coil nut |
| 3 | Spring | 9 | Y ring | 15 | Fix plate |
| 4 | Anomalous seal | 10 | Spring | 16 | O ring |
| 5 | Valve body | 11 | Manual ride spindle | 17 | Plunger |
| 6 | Flat ring | 12 | Terminal | 18 | Pilot seat |

Improvement of Flow Performance Indicator



Improvement of Life-time



The chart shows that the response time of the solenoid valve is within 25 milliseconds. The response time of the solenoid valve is minor difference after 40 million lifetime tests.

J4V400 Series

Solenoid Valve, Air Piloted Valve



Ordering Code

| J4V | 4 | 10 | 15 | B | AC220V | W | F |
|--|--------------------|--|------------------|--|--|---|--------------|
| Specification | Series Code | Coil and Type | Port Size | Connection and Initial status | Standard Voltage | Wiring | Joint |
| J4V: 5/2 (3) way solenoid valve 4A: 5/2 (3) way air pilot valve J3V: 3/2 way solenoid valve 3A: 3/2 way air pilot valve | 4: 400 Series | 10: Single coil 20: Double coil 30C: Mid-position closed 30E: Mid-position exhausted 30P: Mid-position pressed | 15: 1/2" | Blank: Threaded B: Sub-plated mounted (for 5/2,5/3 way only) NC: 3/2 way normal close NO: 3/2 way normal open | DC12V DC24V AC24V 50Hz/60Hz AC110V 50Hz/60Hz AC220V 50Hz/60Hz | Blank: Without light terminal W: Lead wire | 1F-20F |

Specification

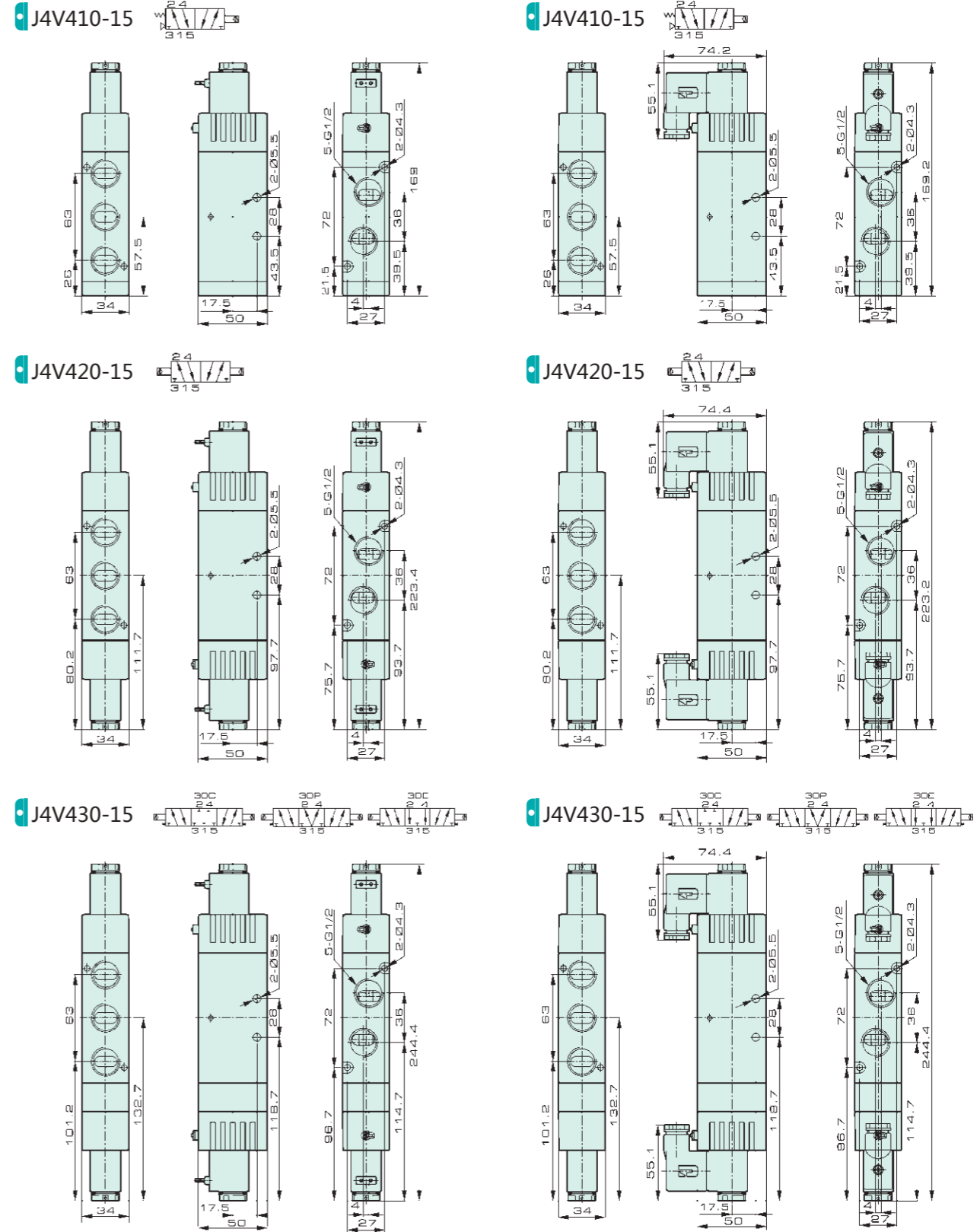
| Model | 4V410-15 | 4V420-15 | 4V430C-15 | 4V430E-15 | 4V430P-15 |
|------------------------------|-------------------------------------|----------|-----------|------------------------------|-----------|
| Valve Type | 5/2 Way | | | 5/3 Way | |
| Effective Cross Section Area | 50 mm ² (CV=2.79) | | | 30 mm ² (CV=1.68) | |
| Model | 3V410-15 | 3V420-15 | 3A410-15 | 3A420-15 | |
| Valve Type | 3/2 Way | | | | |
| Effective Cross Section Area | 50mm ² (CV=2.79) | | | | |
| Port Size | Inlet, Outlet, Exhaust Port = G1/2" | | | | |
| Working Medium | 40 Micron Filtered Air | | | | |
| Operation | Internal piloted | | | | |
| Working-pressure | 0.15 ~ 0.8 MPa | | | | |
| Max. Test Pressure | 1.2 MPa | | | | |
| Ambient Temperature | -20 ~ 70°C | | | | |
| Operating Voltage Tolerance | ±10% | | | | |
| Power Consumption | AC: 3.5VA DC: 3.0W | | | | |
| Connector Protection | F Class, IP 65 | | | | |
| Wiring / Connector | Cable / Lead Wire or DIN Connector | | | | |
| Switching Frequency | 5 Cycles / Sec. | | | | |
| Response Time | 0.05 Sec. | | | | |

J4V400 Series

Solenoid Valve, Air Piloted Valve

ISO9001:2015 CE

Overall Dimension



- Valve
- J4V
- J4V100
- J4V200
- J4V300
- J4V400
- 5V
- Manifold
- JSY
- 5JV
- MCS
- JVT307
- JEL
- MVSD
- VF
- BM
- NAMUR
- 551
- JEL10
- 3VJZF
- Diaphragm
- JELVD
- 3V1
- Coil
- 2P
- 2V
- 2W
- 2W(Big)
- 2L
- VX
- PU
- PU225
- 2Q
- JEL5404
- JEL6213
- BU
- Pulse
- JELJZF
- 4H
- TSV
- MPV
- 4HV
- HV, K
- 4R
- 4F210
- FV
- MSV
- JM
- ASC, RE
- QE, QEA
- ST
- HSV

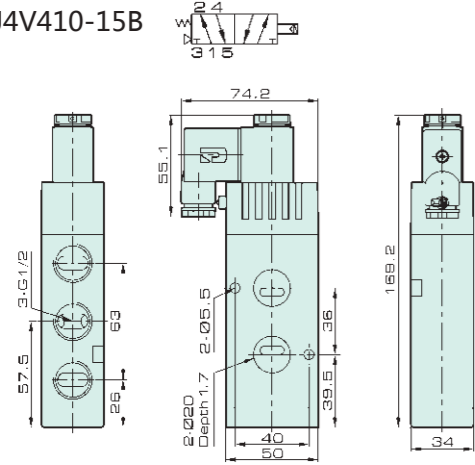
J4V400 Series

Solenoid Valve, Air Piloted Valve

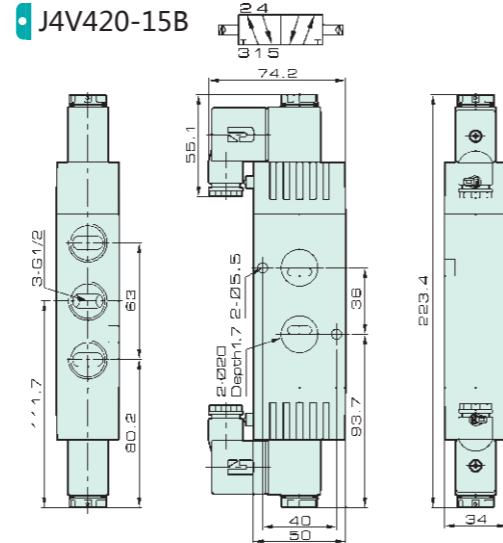


Overall Dimension

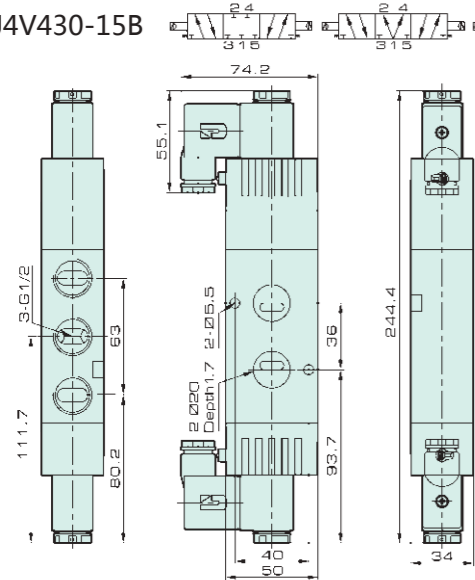
J4V410-15B



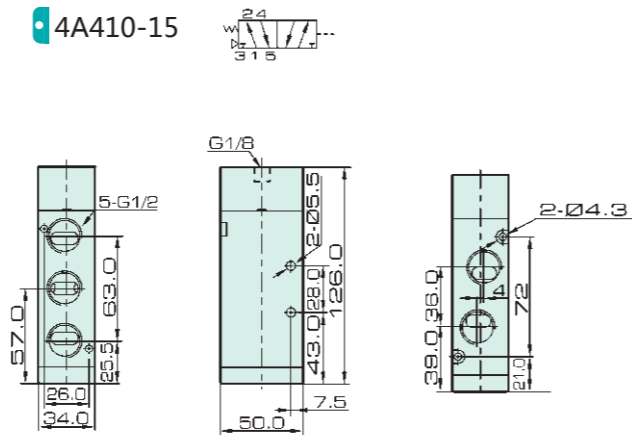
J4V420-15B



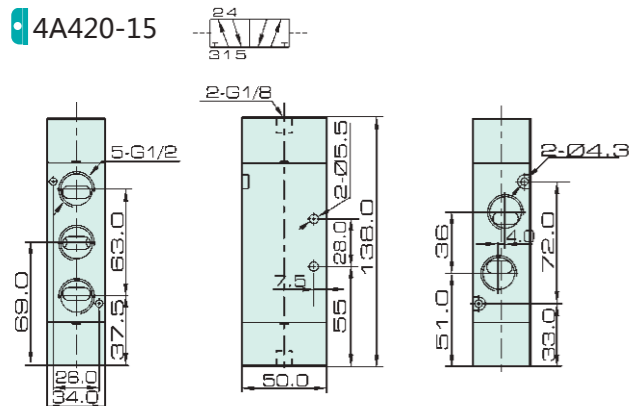
J4V430-15B



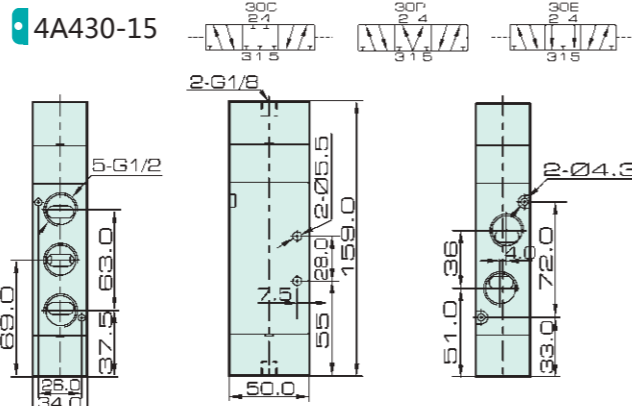
4A410-15



4A420-15



4A430-15



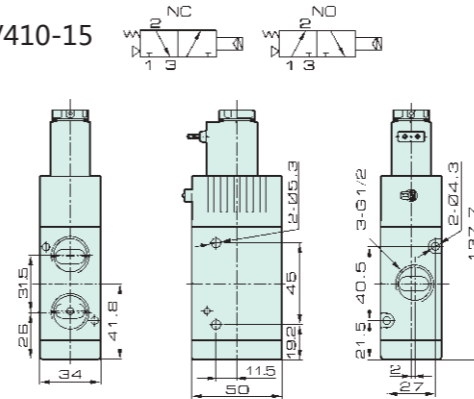
ISO9001:2015 CE

J4V400 Series

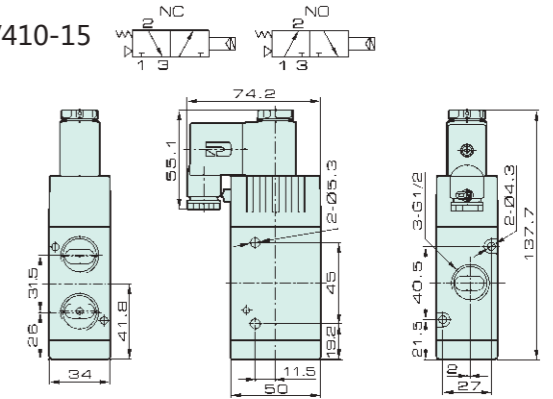
Solenoid Valve, Air Piloted Valve

Overall Dimension

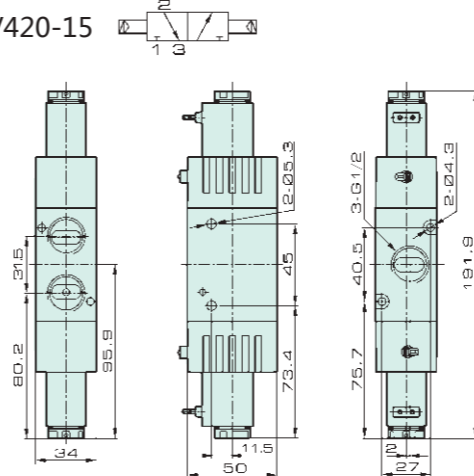
J3V410-15



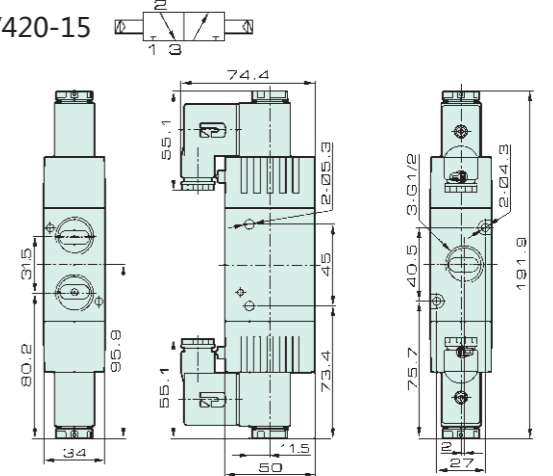
J3V410-15



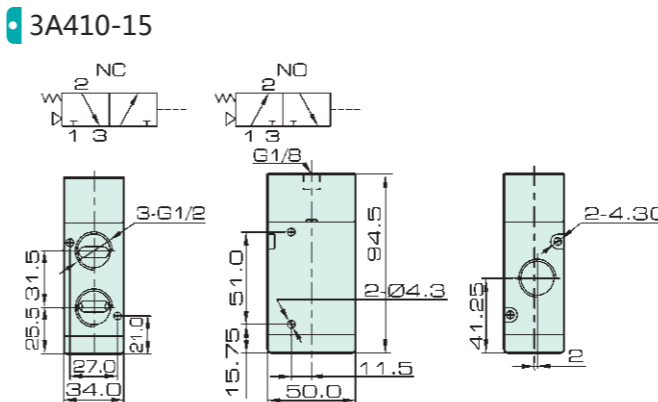
J3V420-15



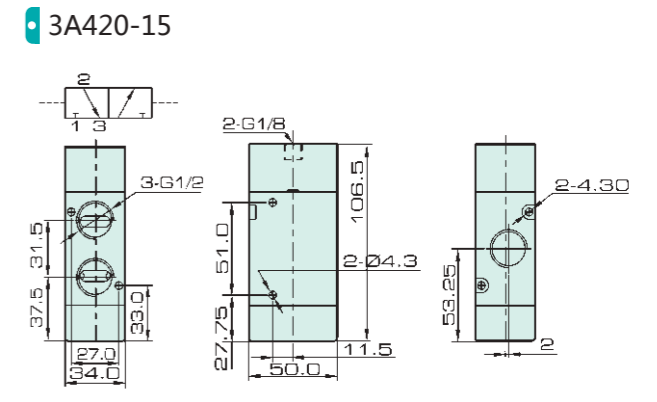
J3V420-15



3A410-15



3A420-15



- Valve
- J4V
- J4V100
- J4V200
- J4V300
- J4V400
- 5V
- Manifold
- JSY
- 5JV
- MCS
- JVT307
- JEL
- MVSD
- VF
- BM
- NAMUR
- 551
- JEL10
- 3VJZF
- Diaphragm
- JELVD
- 3V1
- Coil
- 2P
- 2V
- 2W
- 2W(Big)
- 2L
- VX
- PU
- PU225
- 2Q
- JEL5404
- JEL6213
- BU
- Pulse
- JELJZF
- 4H
- TSV
- MPV
- 4HV
- HV, K
- 4R
- 4F210
- FV
- MSV
- JM
- ASC, RE
- QE, QEA
- ST
- HSV

- Valve
- J4V
- J4V100
- J4V200
- J4V300
- J4V400
- 5V
- Manifold
- JSY
- 5JV
- MCS
- JVT307
- JEL
- MVSD
- VF
- BM
- NAMUR
- 551
- JEL10
- 3VJZF
- Diaphragm
- JELVD
- 3V1
- Coil
- 2P
- 2V
- 2W
- 2W(Big)
- 2L
- VX
- PU
- PU225
- 2Q
- JEL5404
- JEL6213
- BU
- Pulse
- JELJZF
- 4H
- TSV
- MPV
- 4HV
- HV, K
- 4R
- 4F210
- FV
- MSV
- JM
- ASC, RE
- QE, QEA
- ST
- HSV