

- Cylinder
- Calculation
- SI
- SI A.
- SIB
- SQ
- DNT
- SC / SU
- SCT
- SC A.
- SL
- DN
- DSN**
- DN/DSN A.
- MA
- MAC
- MA/MAC A.
- MAL
- MALC
- MAL/MALC A.
- SDA
- CQ2
- TCQ2
- ADN
- TADN
- PPRM
- MHL2
- Pneumatic Fingers
- MXH/MXQ
- CJP
- CJ2
- CDU
- TN
- CXS
- MGP
- MSQ

Features

1. Improving for adapting wide range applications, using precise polishing of piston rod, more sense of products quality and longer life of front seal.
2. Optima design and improve the production efficiency.
3. Combined with enterprise color planning and new structure design, stainless steel series cylinder integrated as the semicircular groove cramping.
4. Change processing technology of cylinder cushion structure to ensure buffering function in stabilization.
5. Improved the range of buffering fine-tune, enable customers to more easily adjust the buffer throttling speed.



DSN25X75

Ordering Code

DSN	U	32	x	50	10	S	E	LB	MT
Series	Back Form	Bore	Stroke	Adjustable Stroke	Magnet	Piston Rod Material	Mountings	Sensor	
DSN: Double Acting 	Blank: Standard with eye mounting 	16 20 25	10 20 30 50 75 100	10: 10mm 20: 20mm 30: 30mm 50: 50mm 75: 75mm 100: 100mm	S: With magnet Blank: Without magnet	Blank: Carbon steel E: Stainless steel	Blank: Basic mountings LB: Front and back mounting FA: Front mounting flange FB: Back mounting flange SDB: Back hinge 	JEL-03R 	* Standard wire length is 1 meter, please specify for other length
DSND: Double-shaft 	CM: Standard with round back cover 	32 40							
DSNJ: Double-shaft with adjustable stroke 	U: Standard with flat back cover 								

Specification

Bore (mm)	16	20	25	32	40
Operation	Double Acting				
Working Medium	Air				
Mountings	Basic LB FA FB SDB				
Operating Pressure Range	0.1 ~ 1.0MPa				
Proof Pressure	1.5 MPa				
Operating Temperature Range	-20 ~ 80°C				
Operating Speed Range	50 ~ 800mm/s				
Cushion	Adjustable Air Cushion				
Port Size	M5X0.8	G1/8"			

DSN Series

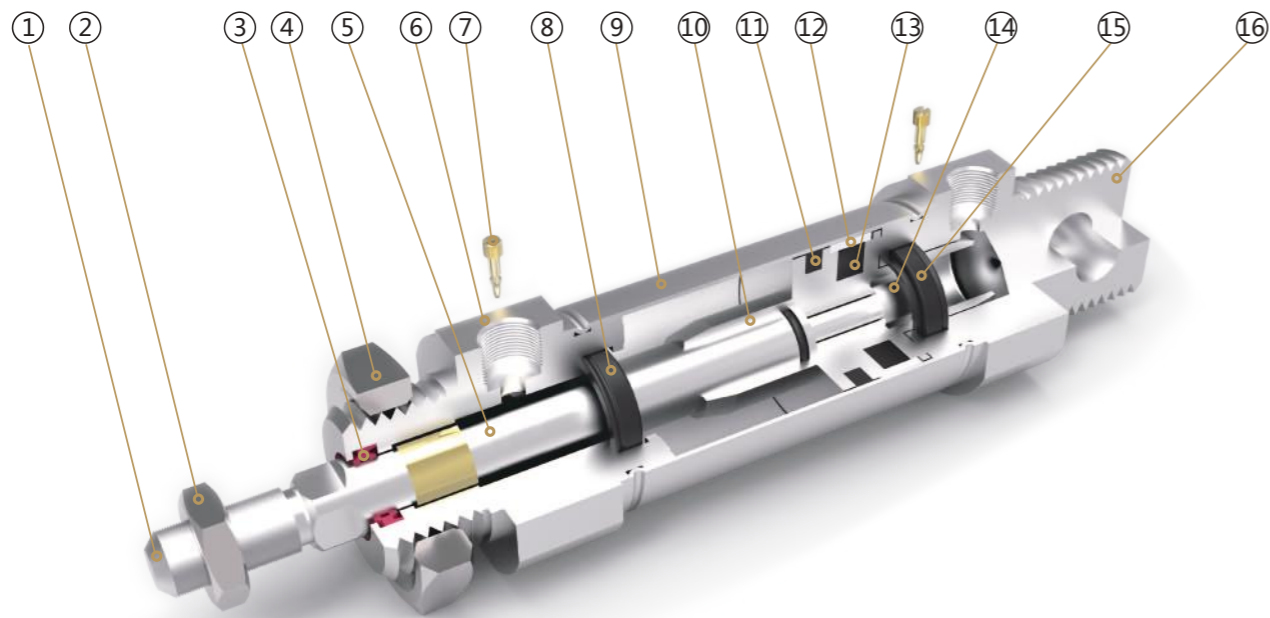
Stainless Steel Mini Cylinder

(ISO6432 Standard)



- Cylinder
- Calculation
- SI
- SI A.
- SIB
- SQ
- DNT
- SC / SU
- SCT
- SC A.
- SL
- DN
- DSN**
- DN/DSN A.
- MA
- MAC
- MA/MAC A.
- MAL
- MALC
- MAL/MALC A.
- SDA
- CQ2
- TCQ2
- ADN
- TADN
- PPRM
- MHL2
- Pneumatic Fingers
- MXH/MXQ
- CJP
- CJ2
- CDU
- TN
- CXS
- MGP
- MSQ

Internal Structure



Parts

Number	Name	Number	Name
1	Piston rod	9	Barrel
2	Hexagon nut	10	Piston
3	Shaft seal	11	Piston seal
4	Hexagon nut	12	Anti-friction seal
5	DU bearing	13	Magnet
6	Front cover	14	Socket head cap screw
7	Anti-collision gasket	15	Cushion
8	Cushion	16	Back cover

DSN Series

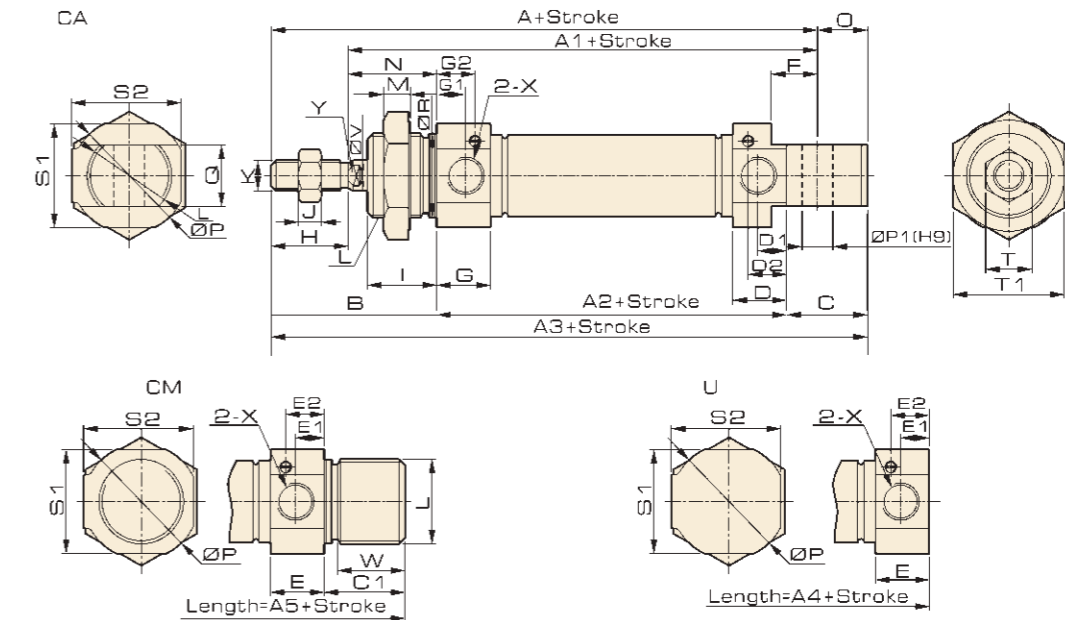
Stainless Steel Mini Cylinder

(ISO6432 Standard)

ISO9001:2015 CE

Overall Dimension

DSN



Cylinder with or without magnet is the same size

Dimension

Bore Symbol	A	A1	A2	A3	A4	A5	B	C	C1	D	D1	D2	E	E1	E2	F	G	G1	G2	H	I
16	98	82	55	111	92	111	37	19	19	10.5	6	7	10.5	6	7	9	10.5	6	7	16	16
20	115	95	64	128	107	128	43	21	21	14	7.5	10	14	7.5	10	9	14	7.5	10	20	18
25	126	104	66	137	116	137	50	21	21	15	8	10.5	15	8	10.5	12	15	8	10.5	22	22
32	135	113	72	147	120	132	48	27	12	17	8.5	12	17	8.5	12	15	17	8.5	12	22	18
40	138	115	72	150	123	136	51	27	14	16	8	11.5	16	8	11.5	15	16	8	11.5	23	20

Bore Symbol	J	K	L	M	N	O	P	P1	Q	R	S1	S2	T	T1	X	V	W	Y
16	5	M6×1	M16×1.5	6	21	13	21	6	12	16	19	19	10	24	M5×0.8	6	15.5	5
20	6	M8×1.25	M22×1.5	7	23	13	30	8	16	22	27	28.5	12	29	G1/8	8	17.5	6
25	6	M10×1.25	M22×1.5	7	28	11	30	8	16	22	27	28.5	17	29	G1/8	10	17.5	8
32	6	M10×1.25	M27×2	9	26	12	38	10	20	27	35	36.5	17	36	G1/8	12	8	10
40	8	M14×1.5	M33×2	9	28	12	45	10	20	33	42	43.5	22	45	G1/4	16	10	14

- Cylinder
- Calculation
- SI
- SI A.
- SIB
- SQ
- DNT
- SC / SU
- SCT
- SC A.
- SL
- DN
- DSN**
- DN/DSN A.
- MA
- MAC
- MA/MAC A.
- MAL
- MALC
- MAL/MALC A.
- SDA
- CQ2
- TCQ2
- ADN
- TADN
- PPRM
- MHL2
- Pneumatic Fingers
- MXH/MXQ
- CJP
- CJ2
- CDU
- TN
- CXS
- MGP
- MSQ

DSN Series

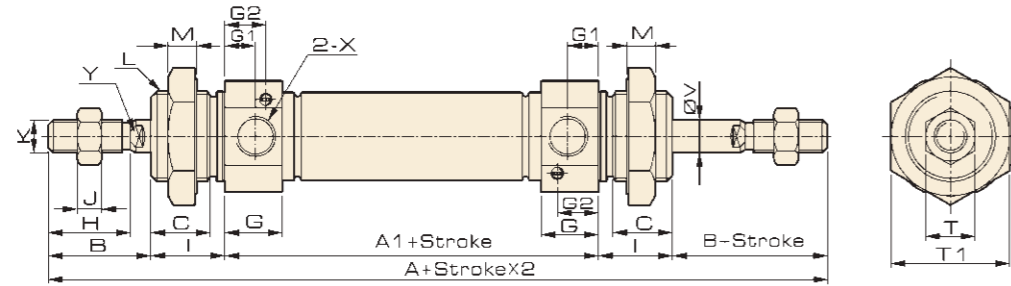
Stainless Steel Mini Cylinder

(ISO6432 Standard)



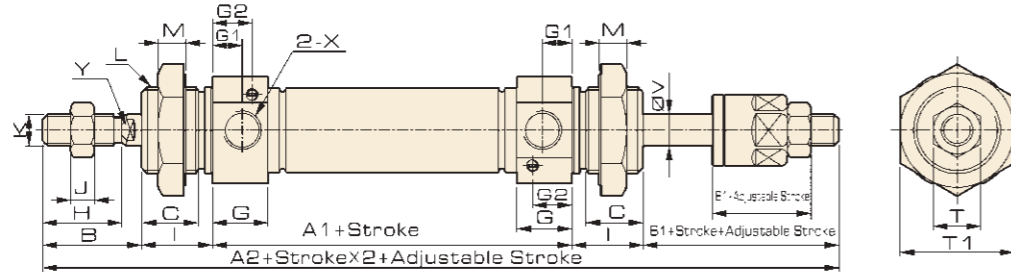
Overall Dimension

DSND



Cylinder with or without magnet is the same size

DSNJ



Cylinder with or without magnet is the same size

Dimension

Bore Symbol	A	A1	A2	B	B1	C	D	G	G1	G2	H	I	J	K	L	M	T	T1	V	X
16	129	55	129	21	21	13	5	10.5	6	7	16	16	5	M6×1	M16×1.5	6	10	24	6	M5×0.8
20	150	64	150	27	25	14.5	6	14	7.5	10	20	18	6	M8×1.25	M22×1.5	7	12	29	8	G1/8
25	166	66	165	28	27	18.5	8	15	8	10.5	22	22	6	M10×1.25	M22×1.5	7	17	29	10	G1/8
32	168	72	165	30	27	14	10	17	8.5	12	22	18	6	M10×1.25	M27×2	9	17	36	12	G1/8
40	174	72	172	31	29	16	14	16	8	11.5	23	20	8	M14×1.5	M33×2	9	22	45	16	G1/4

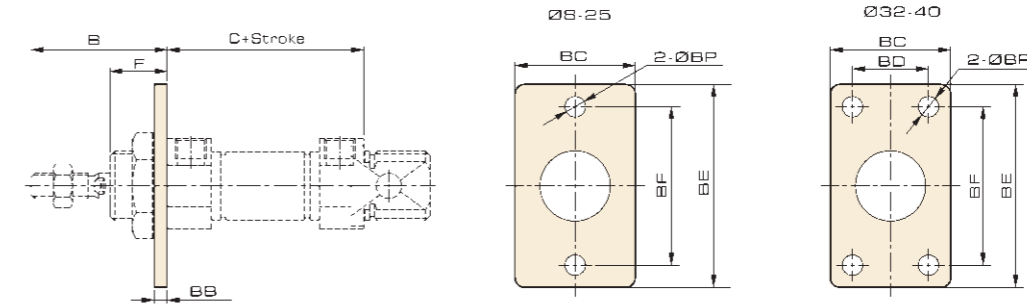
DN / DSN

Mini Cylinder Accessory

ISO9001:2015 CE

Overall Dimension

FA

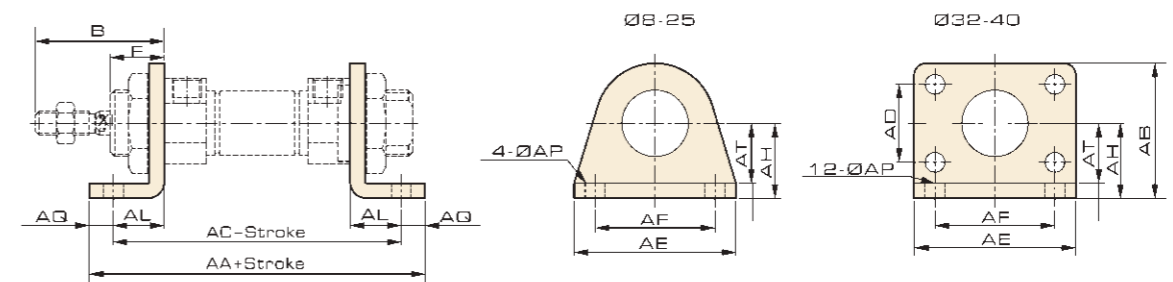


Dimension

Symbol	Bore Stroke	B	C (DN, DSN Series)	C (DS/DT Series)			BB	BC	BD	BE	BF	BP	F
				0-50	50-100	100-150							
8	28	46	71	-	-	3	22	-	40	30	4.5	12	
10	28	46	71	-	-	3	22	-	40	30	4.5	12	
12	38	50	75	-	-	4	30	-	52	40	5.5	17	
16	37	55	80	105	-	4	30	-	52	40	5.5	16	
20	43	64	89	114	139	5	40	-	66	50	6.6	16	
25	50	66	91	116	141	5	40	-	66	50	6.6	22	
32	48	72	97	122	147	5	45	20	80	60	7	18	
40	51	72	97	122	147	5	50	30	100	80	9	20	

Overall Dimension

LB



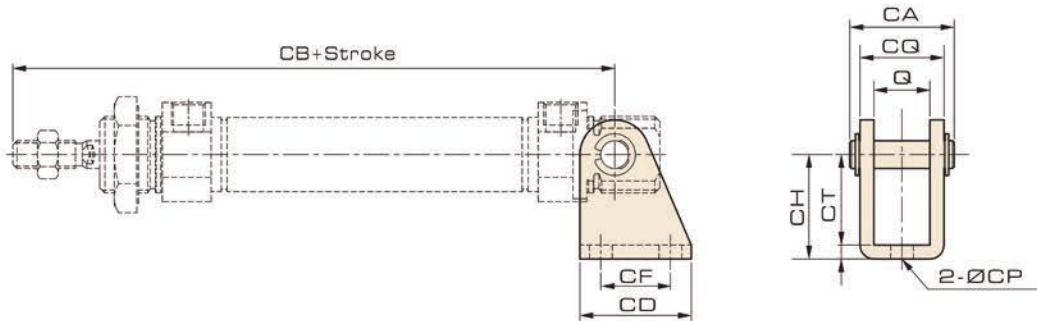
Dimension

Symbol	Bore Stroke	B	AA (DN, DSN Series)	AA (DS/DT Series)			AB	AC (DN, DSN Series)	AC (DS/DT Series)			AD	AE	AF	AH	AL	AP	AQ	AT	F
				0-50	50-100	100-150			0-50	50-100	100-150									
8	28	78	103	-	-	-	68	93	-	-	-	35	25	16	11	4.5	5	3	12	
10	28	78	103	-	-	-	68	93	-	-	-	35	25	16	11	4.5	5	3	12	
12	38	90	115	-	-	-	78	103	-	-	-	42	32	20	14	5.5	6	4	17	
16	37	95	120	145	-	-	83	108	133	-	-	42	32	20	14	5.5	6	4	16	
20	43	114	139	164	189	-	98	123	148	173	-	54	40	25	17	6.6	8	5	16	
25	50	116	141	166	191	-	100	125	150	175	-	54	40	25	17	6.6	8	5	22	
32	48	118	143	168	193	49	104	129	154	179	28	66	52	28	16	7	7	5	18	
40	51	132	157	182	207	58	112	137	162	187	30	80	60	33	20	9	10	5	20	

- Cylinder
- Calculation
- SI
- SI A.
- SIB
- SQ
- DNT
- SC / SU
- SCT
- SC A.
- SL
- DN
- DSN
- DN/DSN A.
- MA
- MAC
- MA/MAC A.
- MAL
- MALC
- MAL/MAL A.
- SDA
- CQ2
- TCQ2
- ADN
- TADN
- PPRM
- MHL2
- Pneumatic Fingers
- MXH/MXQ
- CJP
- CJ2
- CDU
- TN
- CXS
- MGP
- MSQ

Overall Dimension

SDB



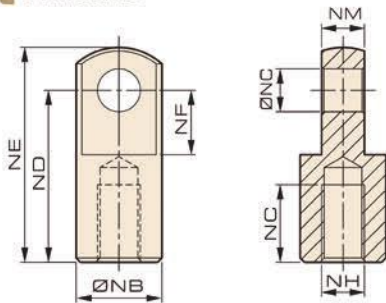
Dimension

Symbol Bore Stroke	D	Q	CA	CB (MAL Series)	CB (MSAL/MTAL Series)			CD	CF	CH	CT	CP	CQ
					0-50	50-100	100-150						
8	11.3	8.1	17.3	76	101	-	-	20	12.5	24	2.5	4.5	13.1
10	11.3	8.1	17.3	76	101	-	-	20	12.5	24	2.5	4.5	13.1
12	13	12.1	23.3	91	116	-	-	25	15	27	3	5.5	18.1
16	13	12.1	23.3	98	123	148	-	25	15	27	3	5.5	18.1
20	16	16.1	30	115	140	165	190	32	20	30	4	6.5	24.1
25	16	16.1	30	126	151	176	201	32	20	30	4	6.5	24.1
32	19.5	20.1	34.6	135	160	185	210	41	24	35	4	9	28.1
40	26	20.1	36.6	138	163	188	213	52	30	40	5	9	30.1

Overall Dimension

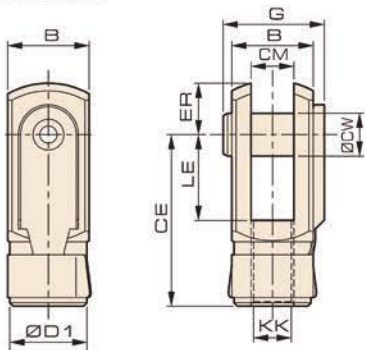
Dimension

I Knuckle



	NB	NC	ND	NE	NF	NG	NH	NM	Bore	8	10	12	16	20	25	32	40	
II-M04070	10	4	16	21	7	6	M4×0.7	4	Adapted fitting form	√	√							
II-M06100	12	5	21	28	8.5	8	M6×1	6				√	√					
II-M08125	16	8	30	40	11	15	M8×1.25	8						√				
II-M10125	20	10	40	50	15	18	M10×1.25	10							√	√		
II-M12125	24	12	48	62	24	18	M12×1.25	12										
II-M14150	28	14	56	72	28	21	M14×1.5	14										√

CK Knuckle



	B	CE	CM	CR	CW	D1	ER	G	LE	KK	
CK-M04070	8	16	4	21	4	8	5	11	8	M4×0.7	DSN8, DSN10
CK-M06100	12	24	6	31	6	10	7	16	12	M6×1	DSN12, DSN16
CK-M08125	16	10	8	42	8	14	10	20	16.5	M8×1.25	DSN20
CK-M10125	18	40	10	52	10	18	12	25	20	M10×1.25	DSN25, DSN32
CK-M12125	24	48	12	62	12	20	14	29	24	M12×1.25	
CK-M14150	24	48	12	62	12	20	14	29	25	M14×1.5	DSN40
CK-M16150	32	63	16	83	16	27	20	38	33	M16×1.5	
CK-M20150	40	80	20	105	20	35	25	47	41	M20×1.5	