

# Vacuum Filter

## GVF Series



### Symbol



### Product feature

1. Unique diversion structure spins the air flowing through to effectively separate the liquid from the air and reliably filter the solid grain.
2. It has low pressure loss, high efficiency in separating water and large drain bowl capacity.
3. Filtering grade includes 5 $\mu$ m and 40 $\mu$ m (Optional).
4. Three material of bowl are available: PC, Nylon and metal.
5. The bracket can be selected for installation.

### Specification

Model	GVF200-06	GVF200-08	GVF300-08	GVF300-10	GVF300-15
Fluid	Air				
Port size [Note1]	1/8"	1/4"	1/4"	3/8"	1/2"
Filtering grade	40 $\mu$ m or 5 $\mu$ m				
Pressure range	-100~0KPa				
Proof pressure	0.5MPa				
Temperature range	-5~70°C(Unfreeze)				
Capacity of drain bowl	25CC		45CC		
Material of bowl	PC bowl、Nylon bowl、Metal bowl				
Weight(Plastic bowl/Metal bowl)	220g/225g	210g/215g	370g/380g	360g/375g	350g/360g
Flow capacity [Note2] (L/min ANR)	5 $\mu$ m	80	100	150	200
	40 $\mu$ m	100	160	200	280

[Note1] PT thread, G thread and NPT thread are available. [Note2] The flow capacity at the inlet pressure loss of 4 Kpa.

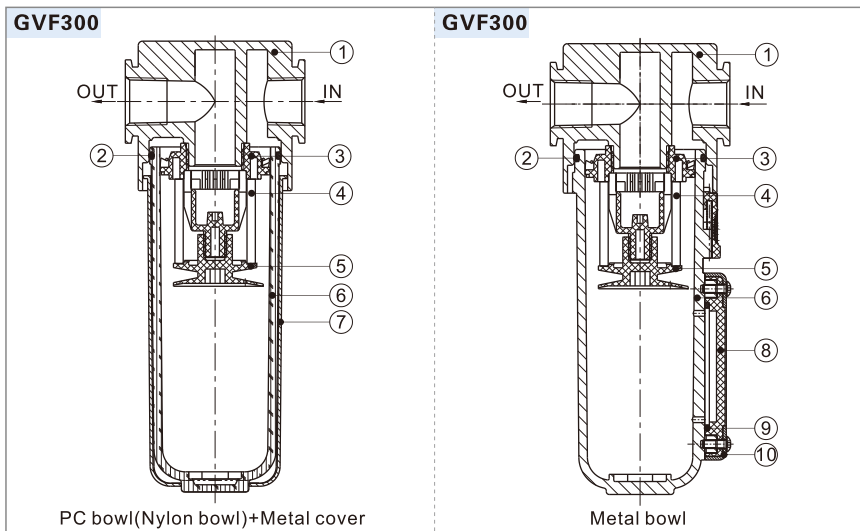
### Ordering code

GVF 300 □ 10 □ W G



① Model	② Bowl material	③ Port size	④ Accessories	⑤ Filtering grade	⑥ Thread type
GVF200: GVF200 Series Vacuum Filter	Blank: PC bowl C: Metal bowl N: Nylon bowl	06: 1/8" 08: 1/4"	Blank: Bracket J: No bracket	Blank: 40 $\mu$ m W: 5 $\mu$ m	Blank: PT G: G T: NPT
GVF300: GVF300 Series Vacuum Filter		08: 1/4" 10: 3/8" 15: 1/2"			

### Inner structure

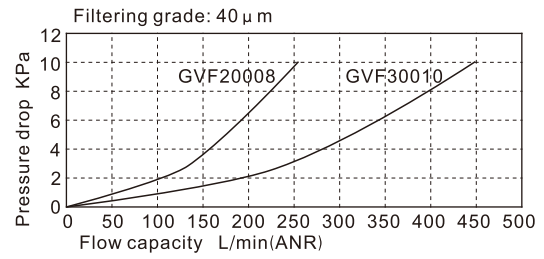
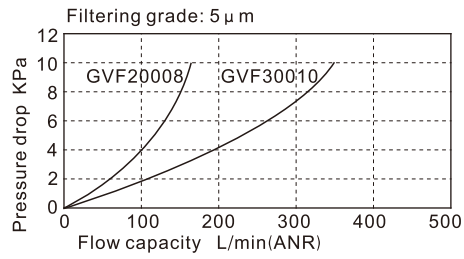


No.	Item	Material
1	Body	Aluminum alloy
2	O-ring	NBR
3	Air guide	High viscosity POM
4	Filter core	HDPE
5	Umbrella baffle	High viscosity POM
6	Drain bowl	Aluminum alloy\PC\Nylon
7	Meter cover	SPCC
8	Liquid meter inside cover	PC
9	Liquid meter seal	NBR
10	Liquid meter cover	SPCC

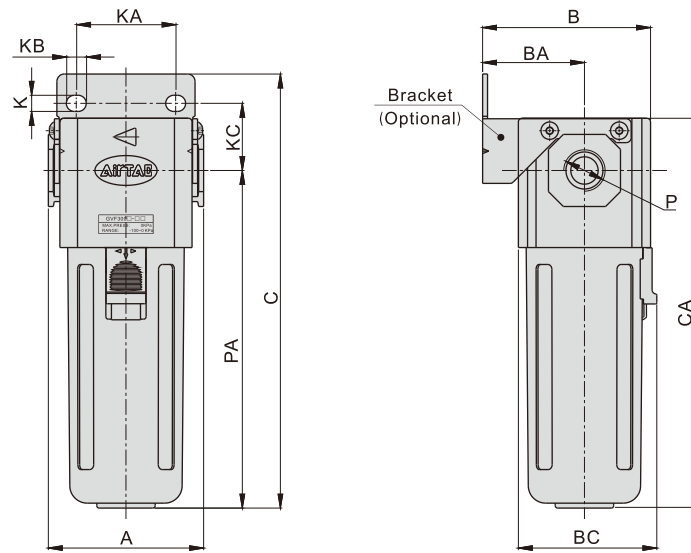
# Vacuum Filter

## GVF Series

### Flow chart



### Dimensions



Model/Item	A	B	BA	C	CA	K	KA	KB	KC	P	PA
GVF200-06	52.5	54.5	33	136.5	123.5	5.4	27	8.4	23	1/8"	106.5
GVF200-08	52.5	54.5	33	136.5	123.5	5.4	27	8.4	23	1/4"	106.5
GVF300-08	62.5	67.5	41	174.5	156.5	6.5	40	8	27	1/4"	135.5
GVF300-10	62.5	67.5	41	174.5	156.5	6.5	40	8	27	3/8"	135.5
GVF300-15	62.5	67.5	41	174.5	156.5	6.5	40	8	27	1/2"	135.5