

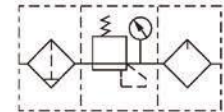


- FRL
- AC, BC
- AFC, BFC
- AF, BF
- AR, BR
- AFR, BFR
- AL, BL
- JAC
- JAF
- JAR
- JAW
- JAL
- JC
- X-FE
- FE**
- GC
- ZYR10
- PTH
- JAD
- DPS

Ordering Code

FRC	3/4	7	5M	O	MAXI	A
Standard	Port Size	Pressure Range	Filter Range	Gauge	Size	Drain Type
FRC: 2 Combination	G1/8	Blank: 0.5 ... 12 bar	Blank: 40 µm	Blank: With Gauge	MINI: Mini	Blank: Hand
LFR: Filter regulator	G1/4	7: 0.5 ... 7 bar	5M: 5 µm	O: Without Gauge	MIDI: Mid	H: Semi Automatic
LR: Regulator	G3/8				MAXI: Max	A: Automatic
LF: Filter	G1/2					
LOE: Lubricator	G3/4					
	G1					

Symbol



Specification

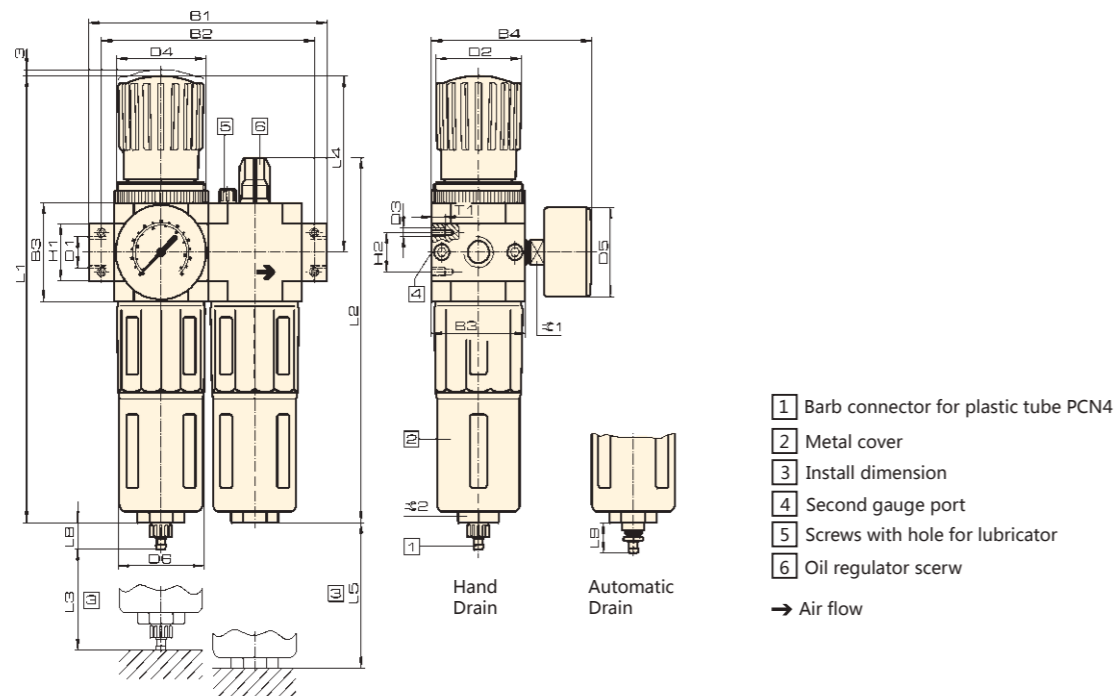
Specification	Mini			Midi			Maxi	
Port Size	G1/8	G1/4	G3/8	G3/8	G1/2	G3/4	G3/4	G1
Working Medium	Compressed Air							
Structure Features	Filter regulator, with/without gauge proportional Lubricator							
Install Way	By Accessories Tube							
Install Position	Vertical ±5°							
Regulator Lock	Rotary handle, with lock Rotary handle, with itergrated locks							
Filter Class [µm]	5 or 40							
Max Hysteresis [bar]	0.2						0.4	
Pressure Range [bar]	0.5 ... 7 0.5 ... 12							
Pressure Display	By Gauge							
	G1/8 Preset			G1/4 Preset			G1/4 Preset	
Water Capacity [cm³]	22			43			80	
Input Pressure [bar]								
Water	Hand			1 ... 16				
Exhaust	Semi Automatic			1.5 ... 16				
	Automatic			2 ... 12				

FE Series

Air Filter Combination (2 Combination)



Overall Dimension



Dimension

Model	B1	B2	B3	B4	D1	$\Phi D2$	D3	D4	$\Phi D5$	$\Phi D6$
Mini										
FRC-1/8-MINI	104	92	40	76	G1/8	31	M4	M36x1.5	41	38
FRC-1/4-MINI					G1/4					
FRC-3/8-MINI					G3/8					
Midi										
FRC-3/8-MIDI	140	125	55	95	G3/8	50	M5	M52x1.5	50	52
FRC-1/2-MIDI					G1/2					
FRC-3/4-MIDI					G3/4					
Maxi										
FRC-3/4-MAXI	162	146	66	107	G3/4	31	M5	M36x1.5	50	65
FRC-1-MAXI	182	157			G1					

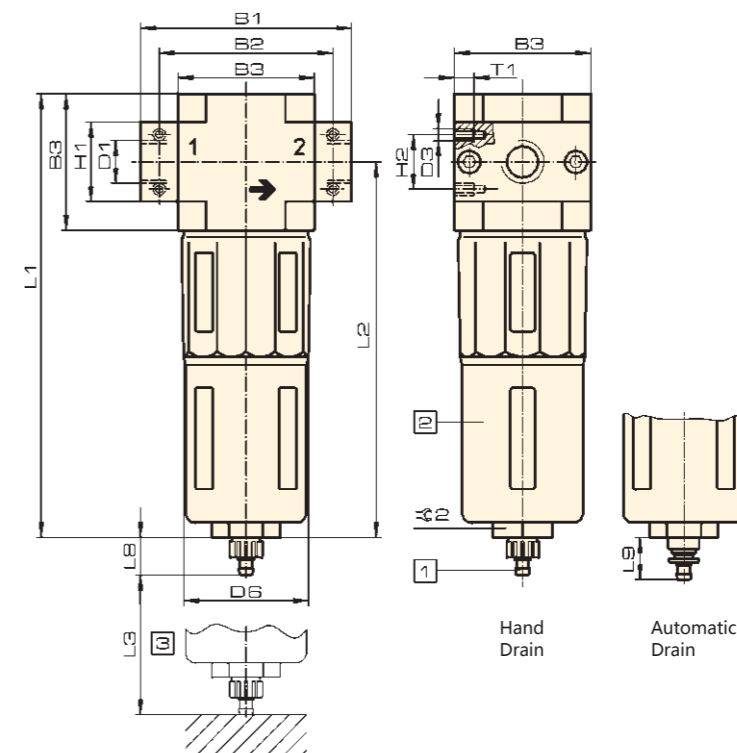
Model	H1	H2	L1	L2	L3	L4	L5	L8	L9	T1	$\varnothing 1$	$\varnothing 2$
Mini												
FRC-1/8-MINI	20	11	193	169	60	69	100	15	19	7	14	22
FRC-1/4-MINI												
FRC-3/8-MINI												
Midi												
FRC-3/8-MIDI	32	22	250	204	80	99	120	15	19	8	14	24
FRC-1/2-MIDI												
FRC-3/4-MIDI												
Maxi												
FRC-3/4-MAXI	32	22	252	228	90	82	150	15	19	8	14	24
FRC-1-MAXI	40											

ISO9001:2015 CE

FE Series

Air Filter Combination (2 Combination)

Overall Dimension



1 Barb connector for plastic tube PCN-4 2 Metal cover 3 Install dimension → Air flow

Dimension

Model	B1	B2	B3	D1	D3	$\Phi D6$	H1	H2	L1	L2	L3	L8	L9	T1	T2	$\varnothing 2$
Mini																
LF-1/8-MINI	64	52	40	G1/8	M4	38	20	11	144	124	60	15	19	7	-	22
LF-1/4-MINI				G1/4												
LF-3/8-MINI				G3/8												
Midi																
LF-3/8-MIDI	85	70	55	G3/8	M5	52	32	22	179	151	80	15	19	8	-	24
LF-1/2-MIDI				G1/2												
LF-3/4-MIDI				G3/4												
Maxi																
LF-3/4-MAXI	96	80	66	G3/4	M5	65	32	22	203	170	90	15	19	8	-	24
LF-1-MAXI	116	91		G1			40									

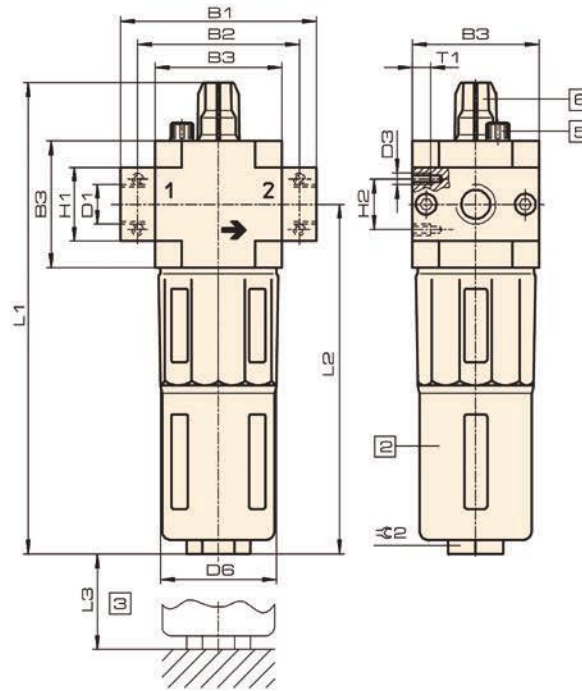
FE Series

Air Filter Combination (2 Combination)



- FRL
- AC, BC
- AFC, BFC
- AF, BF
- AR, BR
- AFR, BFR
- AL, BL
- JAC
- JAF
- JAR
- JAW
- JAL
- JC
- X-FE
- FE
- GC
- ZYR10
- PTH
- JAD
- DPS

Overall Dimension



- 2 Metal cover
- 5 Screws with hole, for lubricator
- 3 Install dimension
- 6 Oil regulator Screw

→ Air flow

Dimension

Model	B1	B2	B3	B4	B5	D1	ΦD2	D3	ΦD6	H1	H2	L1	L2	L3	T1	T2	≠C2
Mini																	
LOE-1/8-MINI	64	52	40	30	-	G1/8	-	M4	38	20	11	169	124	100	7	-	22
LOE-1/4-MINI						G1/4											
LOE-3/8-MINI						G3/8											
Midi																	
LOE-3/8-MIDI	85	70	55	43	-	G3/8	-	M5	52	32	22	204	151	120	8	-	24
LOE-1/2-MIDI						G1/2											
LOE-3/4-MIDI						G3/4											
Maxi																	
LOE-3/4-MAXI	96	80	66	46	-	G3/4	-	M5	65	32	22	228	170	150	8	-	24
LOE-1-MAXI	116	91				G1				40							