

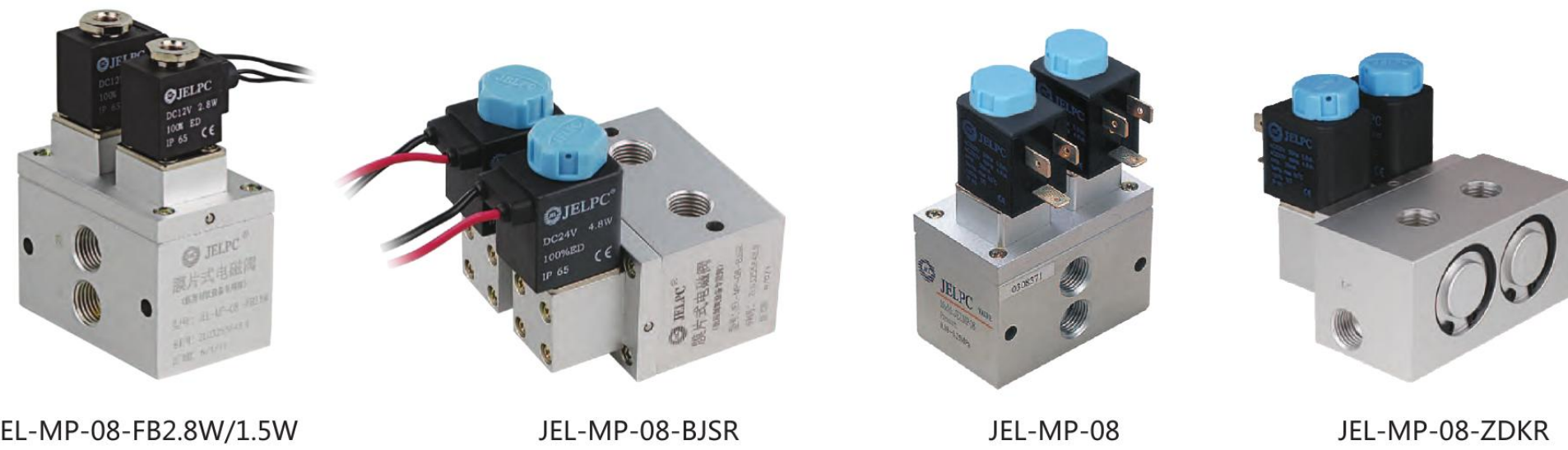
# JEL Series Diaphragm Solenoid Valve



# JEL Series Diaphragm Solenoid Valve

ISO9001:2015 CE

Valve  
J4V  
J4V100  
J4V200  
J4V300  
J4V400  
5V  
Manifold  
JSY  
5JV  
MCS  
JVT307  
JEL  
MVSD  
VF  
BM  
NAMUR  
551  
JEL10  
3VJZF  
Diaphragm  
JELVD  
3V1  
Coil  
2P  
2V  
2W  
2W(Big)  
2L  
VX  
PU  
PU225  
2Q  
JEL5404  
JEL6213  
BU  
Pulse  
JELJZF  
4H  
TSV  
MPV  
4HV  
HV, K  
4R  
4F210  
FV  
MSV  
JM  
ASC, RE  
QE, QEA  
ST  
HSV



New practical national patent (Patent number: ZL03255648.9)  
Awarded national new excellent product  
Low pressure system valve for medical application  
Special fomular silicone for longer service life.

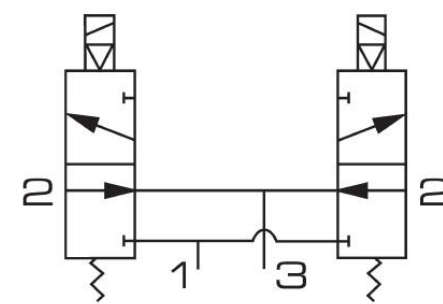
## Features

1. Adopt new processing, improved inner hole roughness.
2. Adopt specially formulated silicone to increase of service life.
3. To import German high standard special grease which provides
4. Valve spool material use soft magnetic stainless steel from German, increase the magnetic properties and reduce the coil power to 30%.

## Ordering Code

<b>JEL</b>	<b>MP</b>	<b>08</b>	<b>ZDKR</b>	<b>DC12V</b>	<b>W</b>
JELPC	Diaphragm	Port Size 08: G1/4"	Fix Form Standard ZDKR BJSR FB	Standard Voltage DC12V DC24V	Wattage Standard: 3W Low Consumption: 1.5W

## Symbol

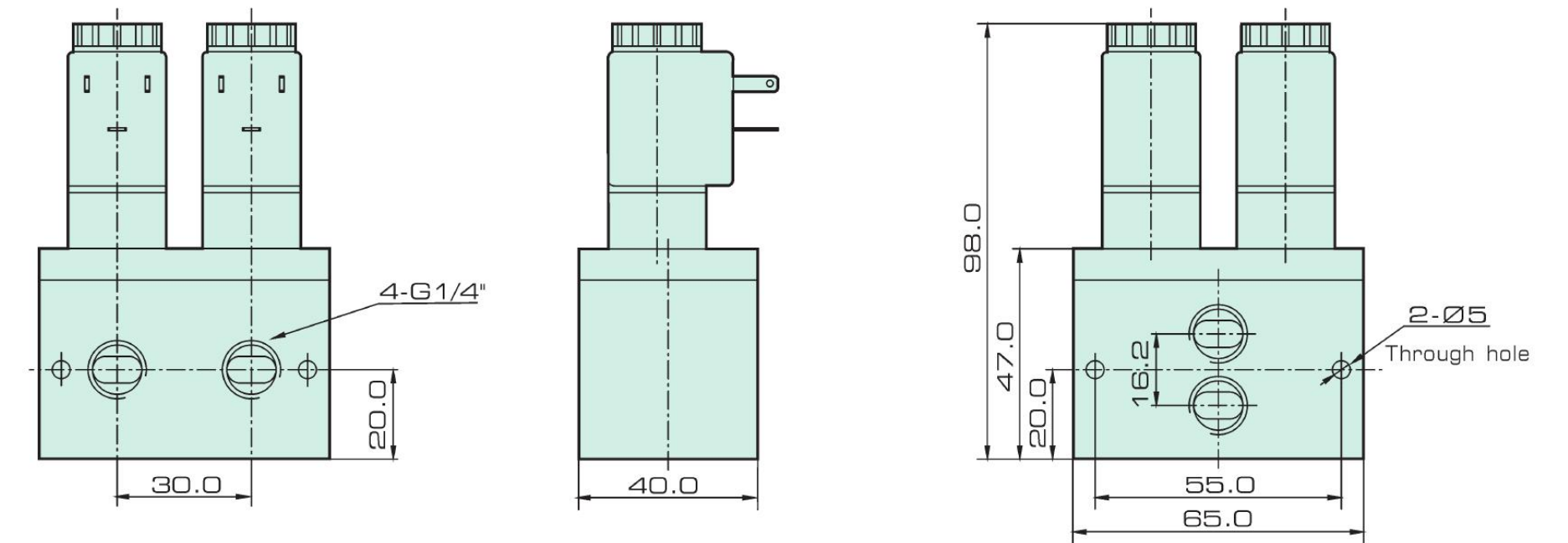


## Specification

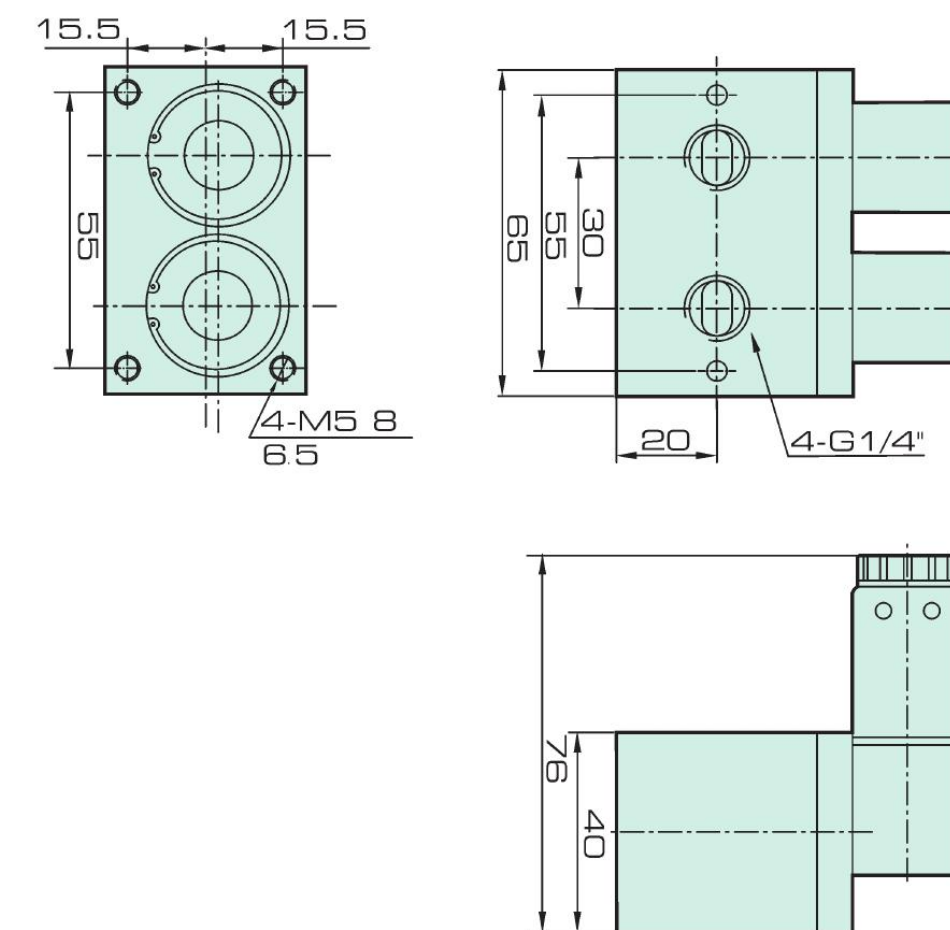
Model	JEL-MP-08
Valve Type	4/2 Way
Working Medium	40 Micron Filtered Air
Operation	Internal Piloted
Working-pressure	0.08 ~ 0.35 MPa
Ambient Temperature	-5 ~ 80 °C
Protection Class	F Class, IP 65

## Overall Dimension

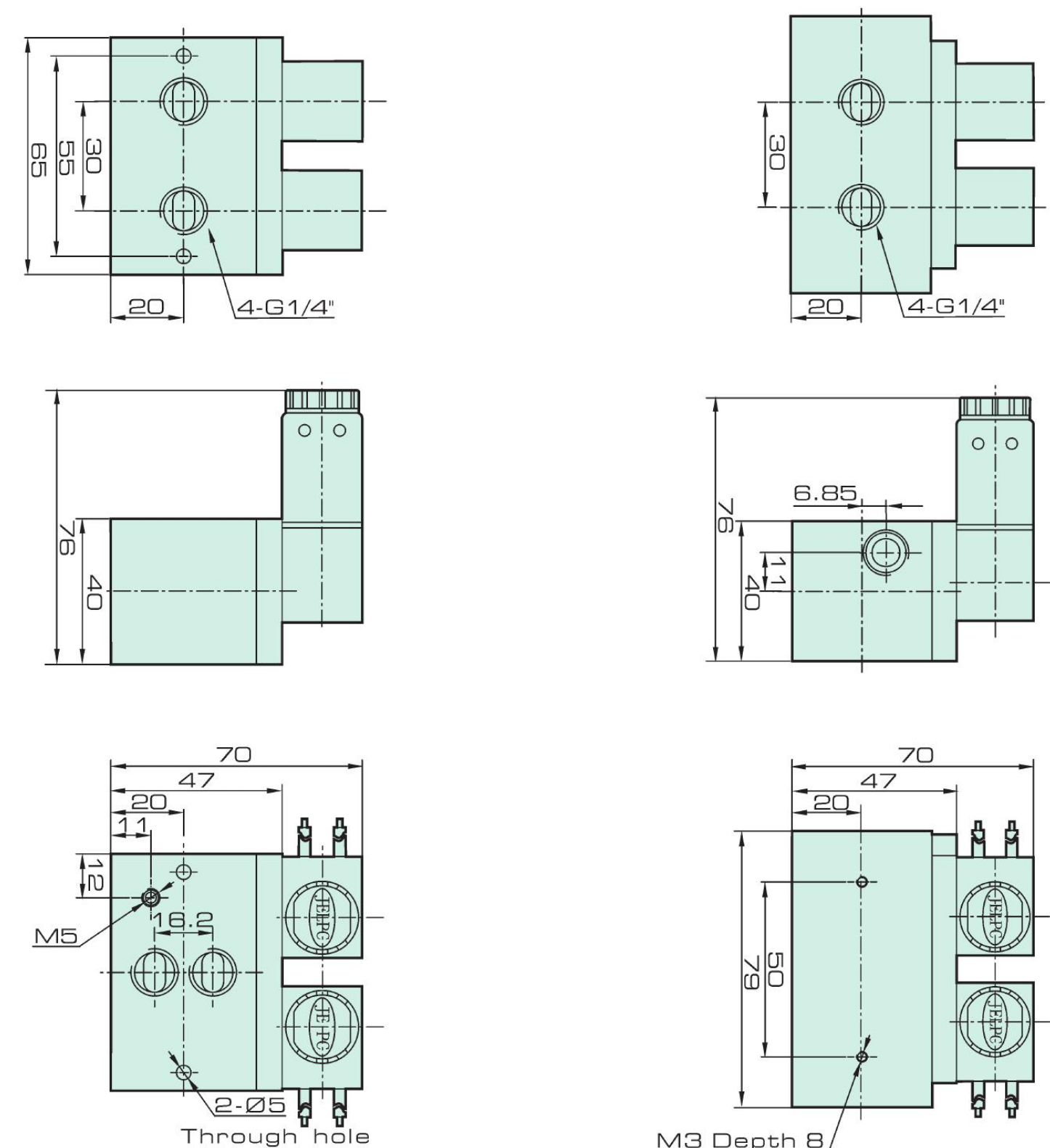
### JEL-MP-08



### JEL-MP-08-BJSR



### JEL-MP-08-ZDKR



Valve  
J4V  
J4V100  
J4V200  
J4V300  
J4V400  
5V  
Manifold  
JSY  
5JV  
MCS  
JVT307  
JEL  
MVSD  
VF  
BM  
NAMUR  
551  
JEL10  
3VJZF  
Diaphragm  
JELVD  
3V1  
Coil  
2P  
2V  
2W  
2W(Big)  
2L  
VX  
PU  
PU225  
2Q  
JEL5404  
JEL6213  
BU  
Pulse  
JELJZF  
4H  
TSV  
MPV  
4HV  
HV, K  
4R  
4F210  
FV  
MSV  
JM  
ASC, RE  
QE, QEA  
ST  
HSV