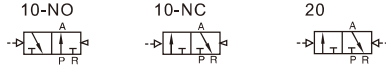


Air valve(3/2 way)

6TA Series



Symbol



Product feature

1. The body is extruded by aluminum alloy, and the inner hole is specially processed to increase the flow rate.
2. Can integrate manifold to form valve group to save space.

Specification

Model	6TA0510	6TA0520	6TA110	6TA120
Port size [Note1]	In=Out=Exh=M5		In=Out=Exh=M5(or=1/8")	
Orifice size(Cv)[Note4]	M5:3.4mm ² (0.2)		06: 8.9mm ² (0.52)	
Weight (g)	18.5	28.5	46.5	56.5
Model	6TA210	6TA220	6TA310	6TA320
Port size [Note1]	06: In=Out=Exh=1/8"		In=Out=3/8" Exh=1/4"	
	08: In=Out=1/4" Exh=1/8"			
Orifice size(Cv)[Note4]	08: 15.4mm ² (0.91)		10:38.4mm ² (2.26)	
Weight (g)	96	121	200	240
Fluid	Air(to be filtered by 40 μm filter element)			
Acting	External air control			
Operating pressure	0.15~0.8MPa(21~114psi)			
Proof pressure	1.2MPa(175psi)			
Temperature	-20~70°C			
Material of body	Aluminum alloy			
Lubrication [Note2]	Not required			
Max.frequency [Note3]	5 cycle/sec			

[Note1] PT thread, G thread and NPT thread are available.

[Note2] Once lubricated air is used, continue with same medium to optimise valve life span. Lubricants like ISO VG32 or equivalent are recommended.

[Note3] The maximum actuation frequency is in the no-load state.

[Note4] Equivalent orifice S and Cv are all calculated from the flow rate data.

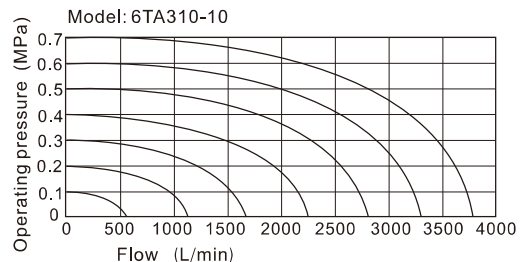
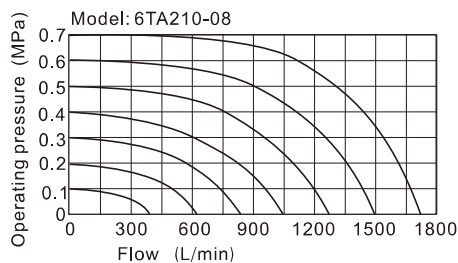
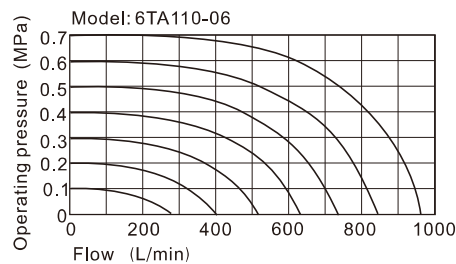
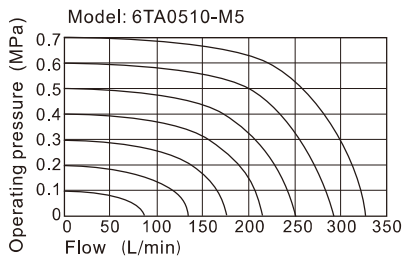
Ordering code

6TA 2 10 08 NC □



① Model	6TV: Air valve (3/2 way)			
② Code	05: 0500 Series	1: 100 Series	2: 200 Series	3: 300 Series
③ Valve type	10: Single air control 20: Double air control			
④ Port size	M5: M5	M5: M5	06: 1/8"	06: 1/8" 08: 1/4" 10: 3/8"
⑤ Acting type	NC: Normally closed NO: Normally opened [Note: Double air control no this code]			
⑥ Thread type	Blank: PT Thread/G: G Thread / T: NPT Thread			

Flow chart



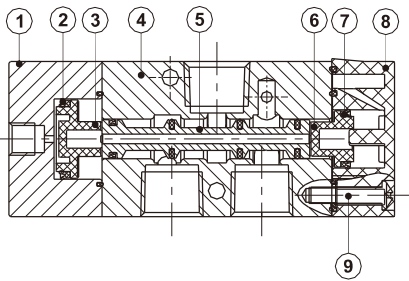
The data in flow rate chart are obtained from AirTAC lab.

Air valve(3/2 way)

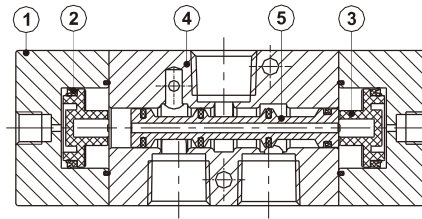
6TA Series

Inner structure

6TA110



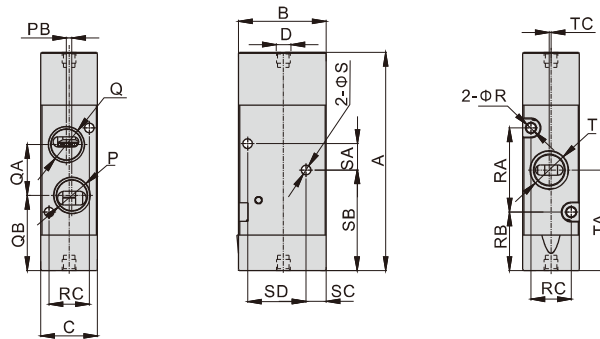
6TA120NC



No.	Item
1	Pilot valve
2	Gasket
3	Big piston
4	Body
5	Spool
6	Small piston
7	Gasket
8	Bottom cover
9	Bolt

Dimensions

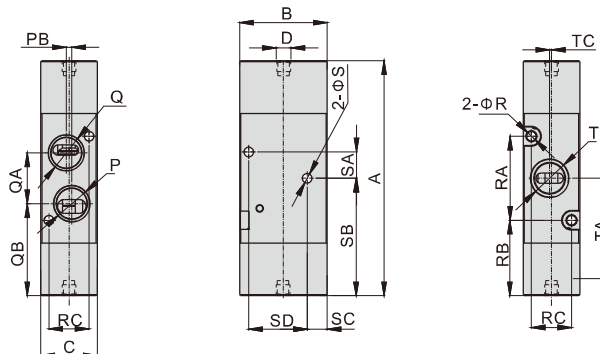
6TA0510
6TA110
6TA210
6TA310



Model\Item	A	B	C	D	P	PB	Q	QA	QB	R	RA	RB	RC	S	SA	SB	SC	SD	T	TA	TC
6TA0510M5	41.5	21	10.6	M5X0.8	M5X0.8	1	M5X0.8	9.5	13.5	2.1	14	11.3	7.5	-	-	-	-	-	M5X0.8	18.3	0.5
6TA110M5	59.5	24	15.5	M5X0.8	M5X0.8	-	M5X0.8	14	20.5	2.6	23	16	11	Φ2.6	7.2	34.5	4	17.5	M5X0.8	27.5	-
6TA11006	59.5	24	15.5	M5X0.8	1/8"	1.5	1/8"	14	20.5	2.6	23	16	11	Φ2.6	7.2	34.5	4	17.5	1/8"	27.5	0.5
6TA21006	77.5	32.5	18.5	1/8"	1/8"	-	1/8"	18	25.5	3.2	33	18	13.5	Φ3.2	12	46.5	7	21	1/8"	34.5	-
6TA21008	77.5	32.5	18.5	1/8"	1/4"	-	1/8"	18	25.5	3.2	33	18	13.5	Φ3.2	12	46.5	7	21	1/4"	34.5	1
6TA31010	95	46	23.5	1/8"	3/8"	-	1/4"	28	29.5	3.2	43	22	18.4	Φ4.3	15	58.5	8	31	3/8"	43.5	-

[Note]: 6TA0510 type no through hole "S" on the side.

6TA0520
6TA120
6TA220
6TA320



Model\Item	A	B	C	D	P	PB	Q	QA	QB	R	RA	RB	RC	S	SA	SB	SC	SD	T	TA	TC
6TA0520M5	47	21	10.6	M5X0.8	M5X0.8	1	M5X0.8	9.5	18.7	2.1	14	16.5	7.5	-	-	-	-	-	M5X0.8	23.5	0.5
6TA120M5	64.5	24	15.5	M5X0.8	M5X0.8	-	M5X0.8	14	25.2	2.6	23	20.7	11	Φ2.6	7.2	39.5	4	17.5	M5X0.8	32.2	-
6TA12006	64.5	24	15.5	M5X0.8	1/8"	1.5	1/8"	14	25.2	2.6	23	20.7	11	Φ2.6	7.2	39.5	4	17.5	1/8"	32.2	0.5
6TA22006	85.5	32.5	18.5	1/8"	1/8"	-	1/8"	18	33.9	3.2	33	26.3	13.5	Φ3.2	12	54.8	7	21	1/8"	42.8	-
6TA22008	85.5	32.5	18.5	1/8"	1/4"	-	1/8"	18	33.9	3.2	33	26.3	13.5	Φ3.2	12	54.8	7	21	1/4"	42.8	1
6TA32010	103	46	23.5	1/8"	3/8"	-	1/4"	28	37.5	3.2	43	30	18.4	Φ4.3	15	66.5	8	31	3/8"	51.5	-

[Note]: 6TA0520 type no through hole "S" on the side.